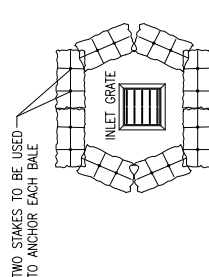
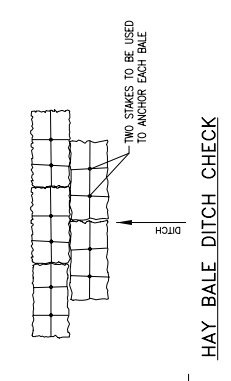
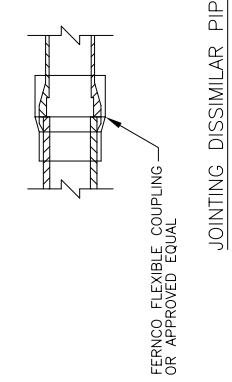
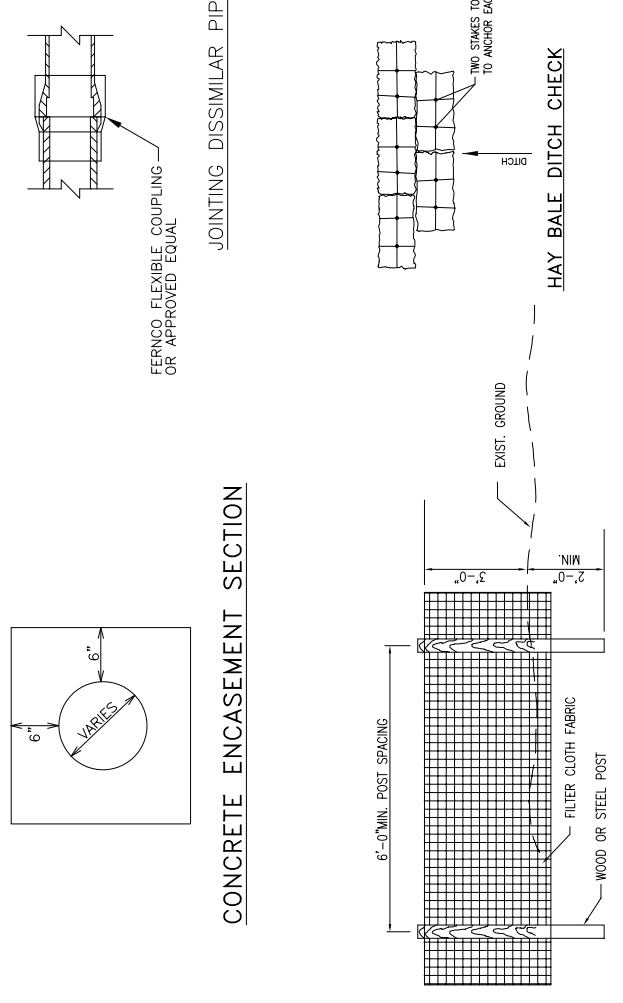
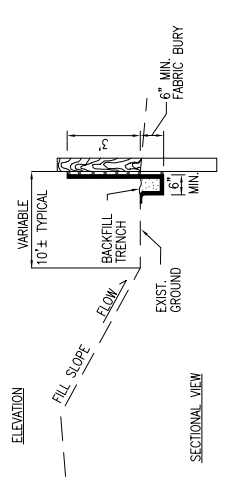


**CONCRETE ENCASUREMENT SECTION**

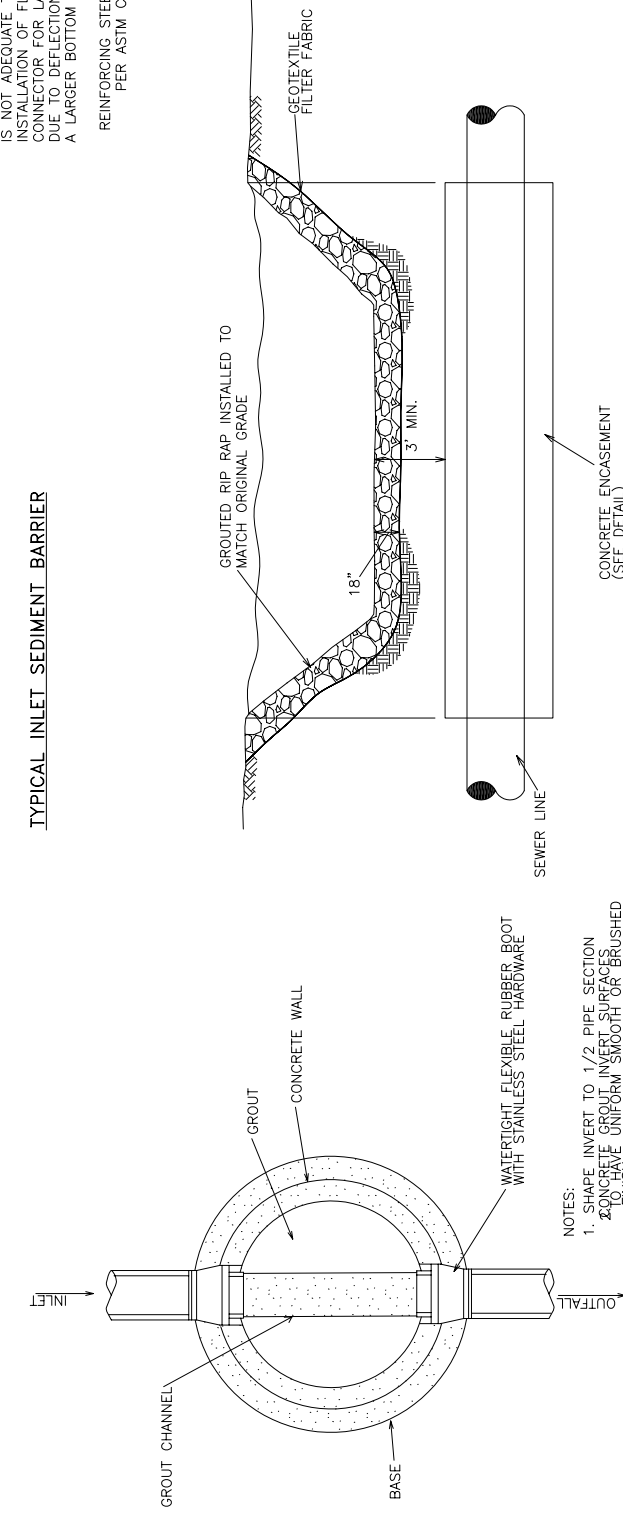


- NOTES:**
1. STRAW BALE SEDIMENT BARRIER TO BE USED AROUND INLETS AND OTHER OPENINGS INTO DRAINAGE SYSTEMS THROUGHOUT CONSTRUCTION.
  2. THERE MUST BE NO GAPS BETWEEN THE HAY BALES THAT WOULD ALLOW WATER TO BYPASS TREATMENT.
  3. TWO STAKES SHALL BE USED TO SECURE EACH BALE.

**TYPICAL INLET SEDIMENT BARRIER**

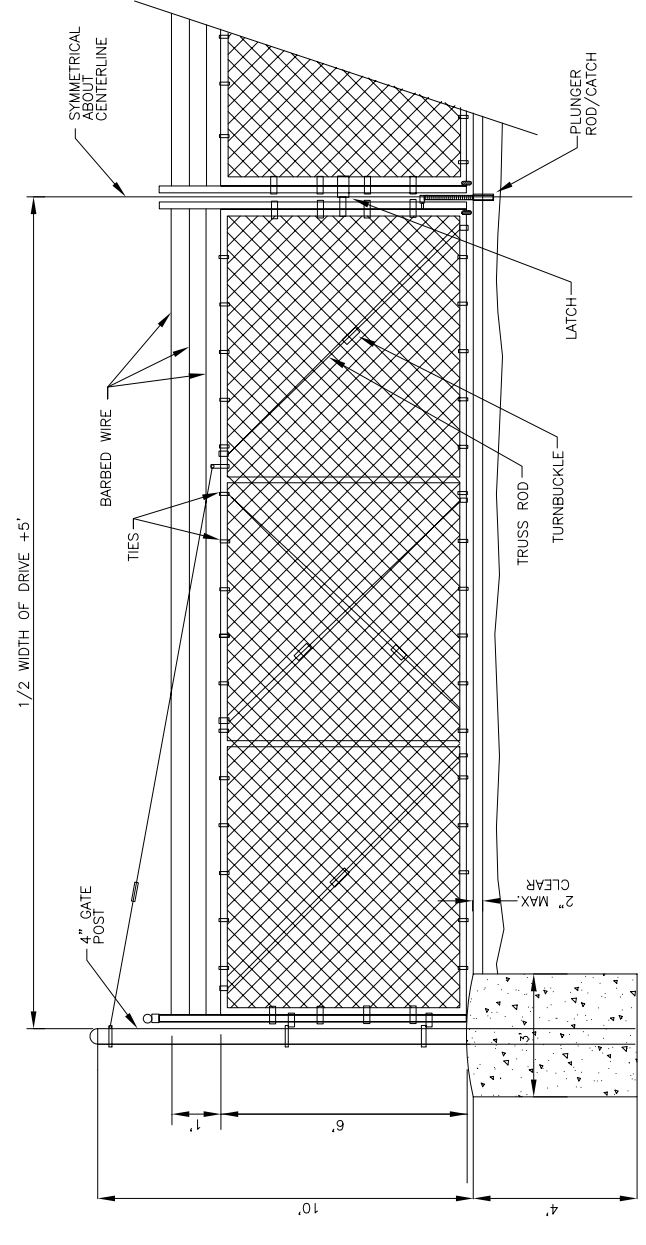


**TEMPORARY SILT FENCE**

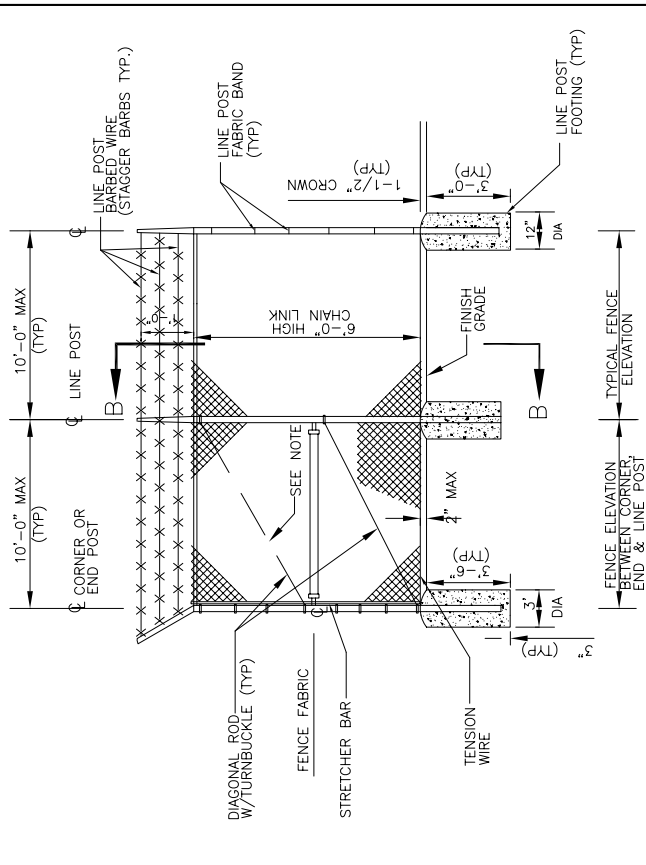


- NOTES:**
1. SHAPE INVERT TO 1/2 PIPE SECTION AND CONCRETE FRAME SURFACE TO BE BRUSHED FINISH.

**TYPICAL CREEK CROSSING FOR GRAVITY SEWER LINE**

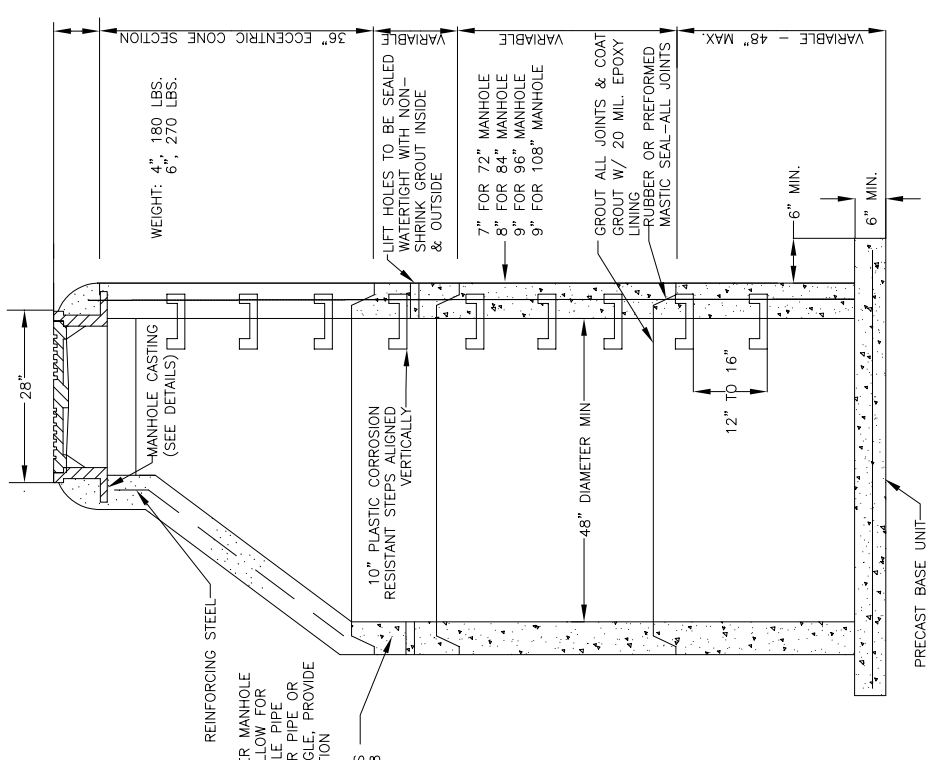


**DOUBLE SWING GATE/CHAIN LINK**

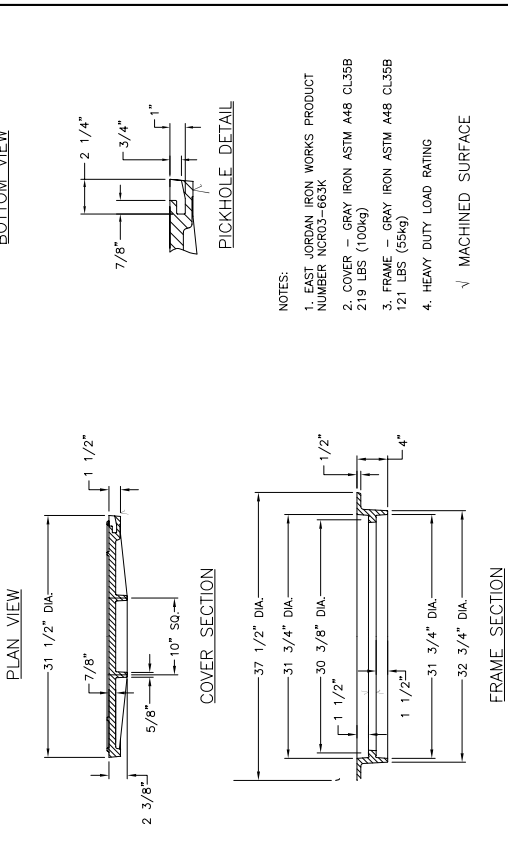
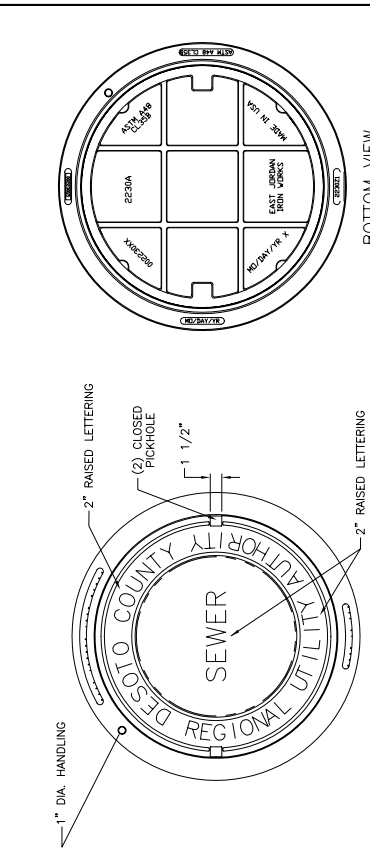


- NOTE:**
- POST BRACES SHALL BE PROVIDED AT EACH GATE CORNER, AND END POST WHERE FENCE RUNS OF 300 FT. OR MORE. TERMINATE AT THE POST. SECOND DIAGONAL ROD SHALL BE INSTALLED AS SHOWN.

**FENCE DETAIL**



- NOTE:**
- WHEN 48" MIN. DIAMETER MANHOLE IS NOT APPROPRIATE TO ALLOW FOR INSTALLATION OF FLEXIBLE PIPE OR CONNECTOR FOR LARGER PIPE OR DUE TO DEFLECTION ANGLE, PROVIDE A LARGER BOTTOM SECTION
- REINFORCING STEEL AS PER ASTM C-478



- NOTES:**
1. EAST JORDAN IRON WORKS PRODUCT NUMBER 10R03-66X
  2. COVER - GRAY IRON ASTM A48 CL58B 219 LBS (100kg)
  3. FRAME - GRAY IRON ASTM A48 CL58B 121 LBS (55kg)
  4. HEAVY DUTY LOAD RATING
- ✓ MACHINED SURFACE

NO.	DATE	BY	APP'D	CHECKED	DRAWN	DATE



DESOTO COUNTY REGIONAL UTILITY AUTHORITY  
UPPER CAMP CREEK INTERCEPTOR NORTH  
DESOTO COUNTY, MISSISSIPPI



PROJECT NO.	CONTRACT	SHEET
16535.05	1	C2.01

**STANDARD SEWER DETAILS**